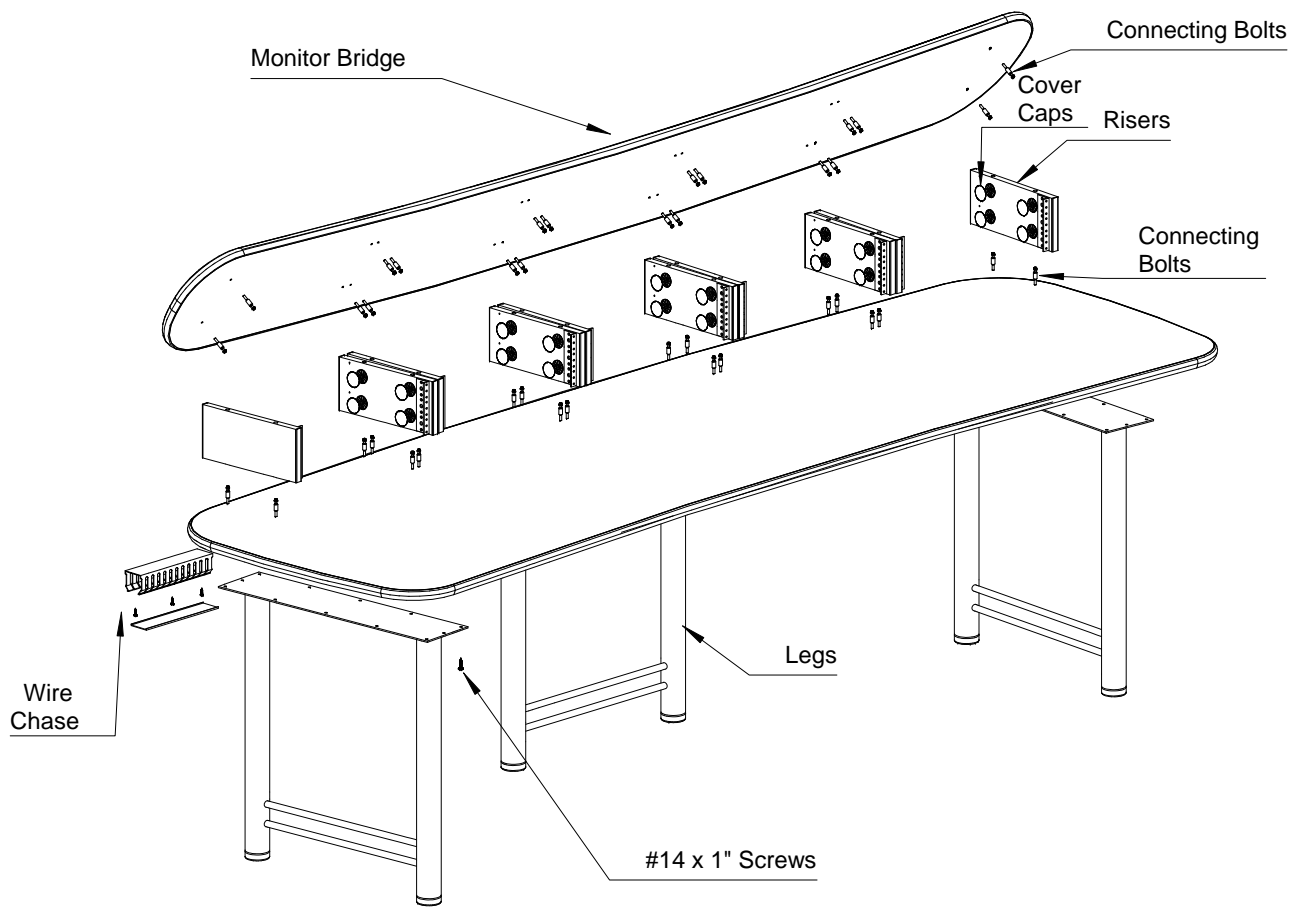


CF115 Max Rack
Hole Location Guide



martinandziegler.com
P503-266-7660
F503-266-7661
421 NE 3rd Ave
Canby, OR 97013

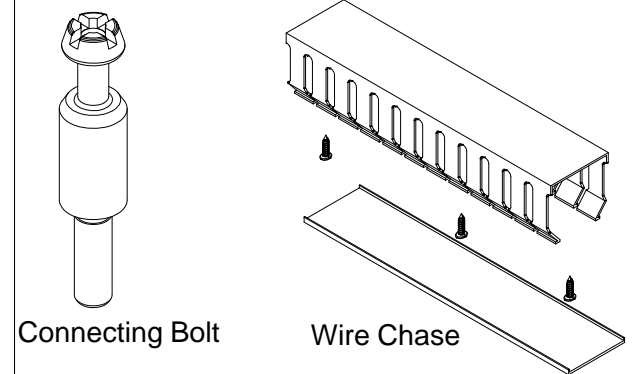
Date	05/06/2014	Rev.	
Scale	NTS	Sheet	1 of 1
Drawn by	D. Ziegler		
Approved		Date	



1. Place the Desk Top face down on a padded surface.
2. Attach the Legs using the #14 x 1" screws(36) and a #3 phillips driver.
3. Attach the Wire Chase. Place where desired. There are no pre-drilled holes, but the #8-10 x 3/4" screws are self tapping.

NOTE: If attaching an Equipment Rack go to MAX RACK Assembly Instructions now.

4. Turn the Desk Upright.
5. Insert the Connecting Bolts (40) into the pre-drilled holes on the Desk Top and bottom of the Monitor Bridge using a #3 phillips driver.
6. Place the Risers over the Conneting Bolts on the Desk Top. Use the included 6mm wrench to tighten the Cams.
7. Place the Monitor Bridge over the Risers
8. Tighten the Cams to attach the Monitor Bridge to the Risers.
9. Press on the Cover Caps over the Cams.



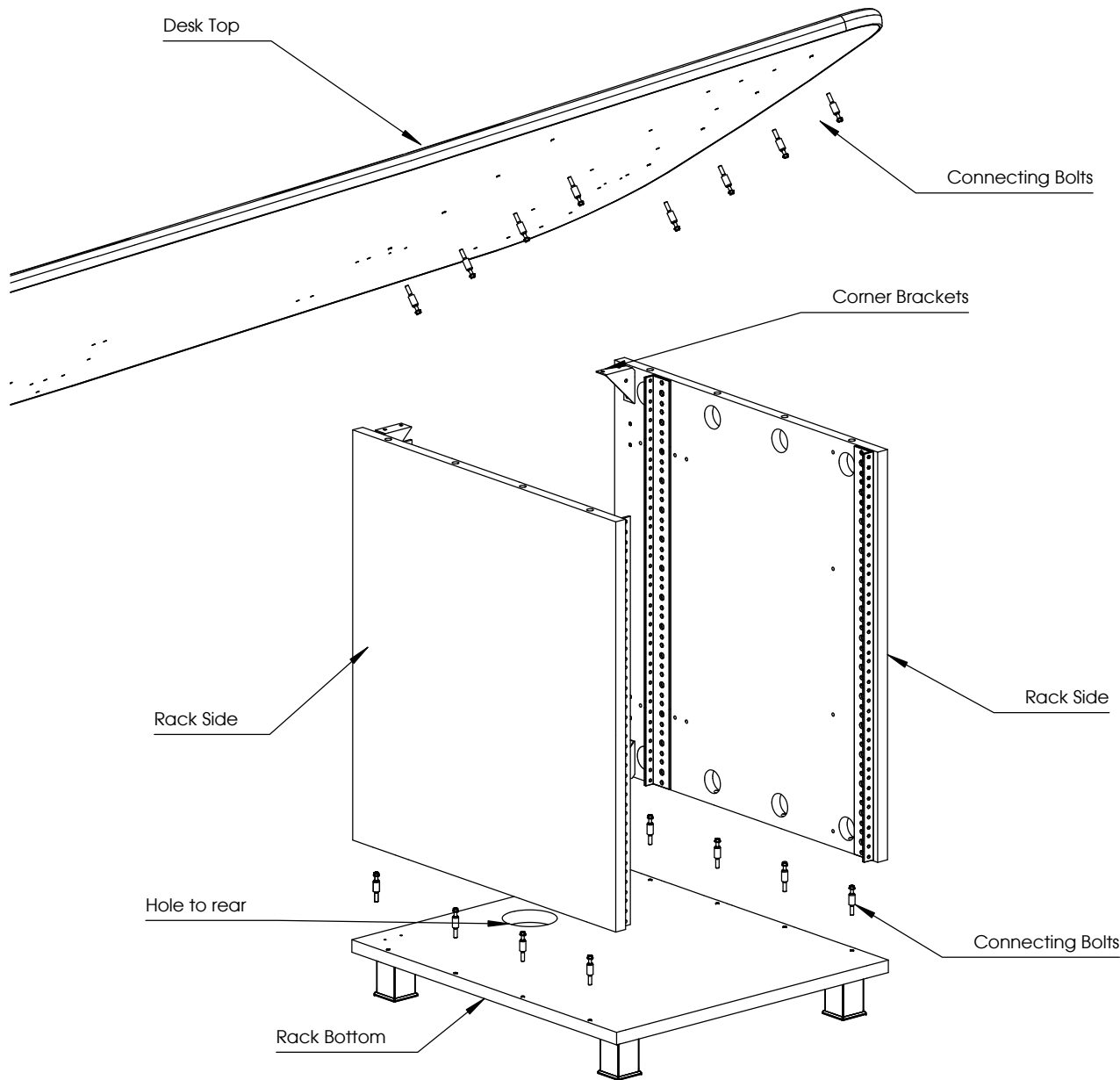
115 Desk or Max Rack

Assembly Instructions



martinandziegler.com
 P503-266-7660
 F503-266-7661
 421 NE 3rd Ave
 Canby, OR 97013

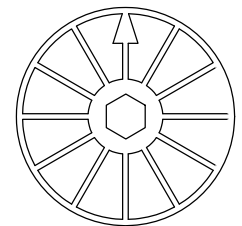
Date	1/15/2015	Rev.	
Scale	NTS	Sheet	1 of 1
Drawn by	D. Ziegler		
Approved		Date	



1. Insert the Connecting Bolts (16) into the Rack Bottom and underside of the desk top.
2. Place a rack Side over the Connecting Bolts of the Rack Bottom. Be sure the adjustable Rack Rail is to the rear.
3. Tighten the Cams with the supplied wrench.
4. Repeat for the second Rack Side.
5. Attach 2 Corner Brackets to the bottom rear of the rack using the #8-10x3/4" screws.
6. Place the assembled Rack Sides over the Connecting Bolts in the Desk Top.
7. Tighten the Cams.
- 8 Attach the remaining 2 Corner Brackets to the upper rear of the rack.
9. Push the Cover Caps into place.



Connecting Bolt



Cam

Max Rack

Assembly Instructions



martinandziegler.com
 P503-266-7660
 F503-266-7661
 421 NE 3rd Ave
 Canby, OR 97013

Date	01/22/2015	Rev.	
Scale	NTS	Sheet	1 of 1
Drawn by	D. Ziegler		
Approved		Date	