

1. Place the Desk Top face down on a non-scratching surface. attach the legs using the #14 x 1" screws (36).

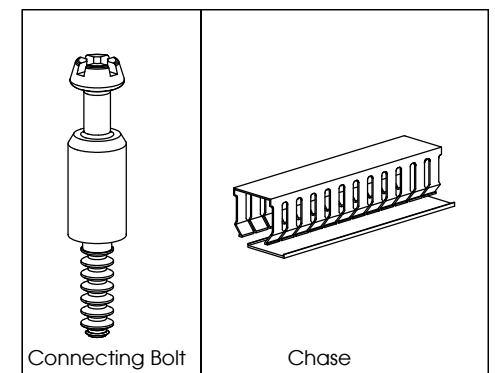
2. attach the Wire Chase sections(4) where desired using the #8-10 x 3/4". Note: There are no pre-drilled holes, but the screws are self-tapping.

3. Turn the desk upright. Screw the Connecting Bolts (20) into the pre-drilled holes on the Desk Top and bottom of Monitor Bridge.

4. Place the Risers over the Connecting Bolts and tighten using the 6mm wrench.

5. Place the Monitor Bridge onto the Risers and tighten the Cams.

6. Insert Cover Caps.



CF92

Assembly Instructions



martinandziegler.com
P503-266-7660
F503-266-7661
421 NE 3rd Ave
Canby, OR 97013

Date	07/16/2014	Rev.	
Scale	NTS	Sheet	1 of 1
Drawn by	A. Martin		
Approved		Date	